



## US Trade Price Book - 2025

Effective 7/21/25



**Simple. Comfortable. Affordable.**



[www.pennco boilers.com](http://www.pennco boilers.com)

**ECR** international

Manufactured by:  
ECR International Inc.  
2260 Dwyer Avenue, Utica, NY 13501  
Tel. 800 325 5479  
[www.ecrinternational.com](http://www.ecrinternational.com)  
PN 240004966 REV. W [08/28/2025]



## CUSTOMER SUPPORT TEAM

---

### **CUSTOMER SERVICE:**

Phone: (800) 325-5479 option #2  
Fax: (315) 724-9319  
Email Purchase Orders: [ecrorderentry@ecrinternational.com](mailto:ecrorderentry@ecrinternational.com)  
Email Inquiries: [customerservice@ecrinternational.com](mailto:customerservice@ecrinternational.com)

### **TECHNICAL SUPPORT:**

Phone: (800) 253-7900  
Fax: (866) 432-7329  
Email: [technical.support@ecrinternational.com](mailto:technical.support@ecrinternational.com)

### **MARKETING SUPPORT:**

Phone: (800) 325-5479  
Fax: (315) 733-1759  
E-mail: [marketing@ecrinternational.com](mailto:marketing@ecrinternational.com)

### **[WWW.ECRCUSTOMERPORTAL.COM](http://WWW.ECRCUSTOMERPORTAL.COM)**

#### **Your On-line Access to:**

- Order Status
- Invoices
- Statements
- RMA
- Serial Number Look-Up
- Literature

## Table of Contents

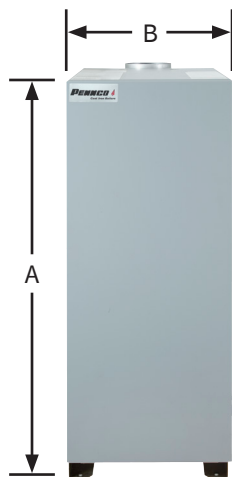
<b>Natural / LP Boilers</b>		<b>4-13</b>
<b>15B-K</b>	Cast Iron Chimney Vented Boilers (59-235 MBH)	<b>4</b>
<b>15C</b>	Cast Iron Chimney Vented Boilers (262-299 MBH)	<b>6</b>
<b>FSB</b>	Cast Iron Induced Draft Chimney/Side Wall Vented Boilers (42-187 MBH)	<b>8</b>
<b>16</b>	Cast Iron Steam Boilers (75-299 MBH)	<b>10</b>
<b>41L</b>	Cast Iron Commercial Steam & Water Boilers (400-1,500 MBH)	<b>12</b>
<b>Oil Boilers</b>		<b>16-19</b>
<b>KWC</b>	Cast Iron Chimney Vented Boilers (112-217 MBH)	<b>16</b>
<b>SBO</b>	Cast Iron Steam Boilers (119-210 MBH)	<b>18</b>
<b>Indirect Tanks</b>		<b>20-21</b>
<b>H2O GL</b>	Single Coil Glass Lined Indirect Water Heaters (31-106 GALS)	<b>20</b>
<b>Terms &amp; Conditions of Sale</b>		<b>22</b>
<b>Shipping &amp; Delivery Policy</b>		<b>23</b>
<b>RMA Policy</b>		<b>24</b>

# 15B-K Cast-Iron Chimney Vented Boilers

- MBH Input 59 - 235 (CH)
- 84% AFUE
- Dependable Cast Iron Heat Exchanger
- Internal Operating Control
- Digital temperature display and diagnostics
- Built-In Low Water Cut-Off (LWCO)
- Control monitors water temperature and delays burner start until residual heat has been transferred to the system for maximum efficiency.
- Low Profile draft hood diverter



General Information (See IOM for Complete Instructions)							
Model	15B-060K	15B-095K	15B-120K	15B-150K	15B-175K	15B-205K	15B-235K
Water Return/Supply	1 1/4" NPT						
Gas	1/2" NPT				3/4" NPT		
Electrical	120 Volts AC, 60 hertz, 1 phase, less than 12 amps (15 amp circuit recommended)						
Water Content (Gallons)	1.9	2.3	2.8	3.2	3.7	4.1	4.6
A-Height	32 1/8"	32 1/8"	32 1/8"	32 1/8"	32 1/8"	32 1/8"	32 1/8"
B-Width	13 3/8"	13 3/8"	16 1/4"	19"	21 7/8"	27 1/2"	27 1/2"
C-Depth	24 1/8"	24 1/8"	24 1/8"	24 1/8"	24 1/8"	24 1/8"	24 1/8"



FRONT



LEFT SIDE

15B-K - Cast Iron Chimney Vented Boilers									
Model	Item Number	Input MBH	Htg. Cap. MBH	AHRI Net MBH	AFUE	Fuel	Pump	Shp. Wgt. lbs	Trade Price
15B-060K	15B306003200507	59	50	43	84.0%	NAT	LESS	215	\$2,749
15B-095K	15B409503200507	90.8	76.3	66	84.0%	NAT	LESS	250	\$3,026
15B-120K	15B512003200507	120	101	88	84.0%	NAT	LESS	295	\$3,266
15B-150K	15B615003200507	149	125	109	84.0%	NAT	LESS	335	\$3,671
15B-175K	15B717503200507	175	147	128	84.0%	NAT	LESS	385	\$4,065
15B-205K	15B820503200507	205	172	150	84.0%	NAT	LESS	420	\$4,592
15B-235K	15B923503200507	235	197	172	84.0%	NAT	LESS	465	\$5,018
15B-060K	15B306003240507	59	50	43	84.0%	NAT	TACO ECM	215	\$2,952
15B-095K	15B409503240507	90.8	76.3	66	84.0%	NAT	TACO ECM	250	\$3,232
15B-120K	15B512003240507	120	101	88	84.0%	NAT	TACO ECM	295	\$3,472
15B-150K	15B615003240507	149	125	109	84.0%	NAT	TACO ECM	335	\$3,877
15B-175K	15B717503240507	175	147	128	84.0%	NAT	TACO ECM	385	\$4,268
15B-205K	15B820503240507	205	172	150	84.0%	NAT	TACO ECM	420	\$4,796
15B-235K	15B923503240507	235	197	172	84.0%	NAT	TACO ECM	465	\$5,221

**15B-K - LP**

**Note: Boilers require a natural gas to LP conversion kit (field installed). Sold Separately. See below.**

**15B-K - High Altitude**

**\*Note: Boilers require a High Altitude conversion kit (field installed). Sold Separately. See Below. Item # is for 5000', consult factory for other elevations up to 10,000'.**

High Altitude - Capacity reduces with elevation. Refer to IOM for actual capacity ratings.

**15B-K (Use Parts Multiplier for All of the Following)**

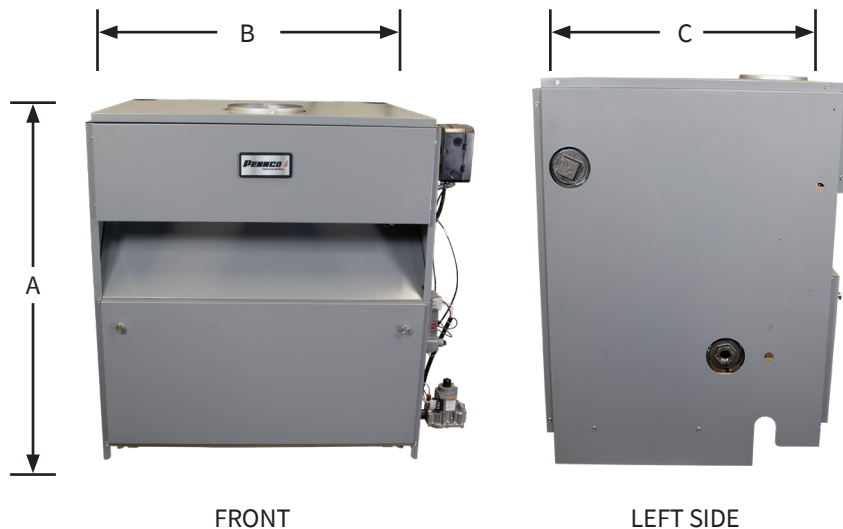
Model		Description	Trade Price
ALL MODELS	550003778	NATURAL GAS TO LP GAS CONVERSION KIT	\$112
ALL MODELS	550003884	LP GAS TO NATURAL GAS CONVERSION KIT	\$123
15B-K (3 Sec)	550003786	*NATURAL GAS HIGH ALTITUDE CONVERSION KIT - 5000' ELEVATION	\$77
15B-K (4-9 Sec)	550003781	*NATURAL GAS HIGH ALTITUDE CONVERSION KIT - 5000' ELEVATION	\$97
15B-K (3 Sec)	550003774	*LP GAS HIGH ALTITUDE CONVERSION KIT - 5000' ELEVATION	\$88
15B-K (4-9 Sec)	550003774	*LP GAS HIGH ALTITUDE CONVERSION KIT - 5000' ELEVATION	\$88

# 15C Cast-Iron Chimney Vented Boilers

- MBH Input 262 - 299 (CH)
- 84% AFUE
- Dependable Cast Iron Heat Exchanger
- Internal Operating Control
- Digital temperature display and diagnostics
- Built-In Low Water Cut-Off (LWCO)
- Control monitors water temperature and delays burner start until residual heat has been transferred to the system for maximum efficiency.
- Low Profile draft hood diverter



General Information (See IOM for Complete Instructions)		
Model	15C-8D	15C-9D
Water Return/Supply	1 1/4" NPT	
Gas	1/2" NPT	
Electrical	120 Volts AC, 60 hertz, 1 phase, less than 12 amps (15 amp circuit recommended)	
Water Content (Gallons)	12.7	14.4
A-Height	36 3/8"	36 3/8"
B-Width	27 1/2"	30 3/4"
C-Depth	26 1/2"	26 1/2"



**15C - Cast Iron Chimney Vented Boilers**

Model	Item Number	Input MBH	Htg. Cap. MBH	AHRI Net MBH	AFUE	Fuel	Pump	Shp. Wgt. lbs	Trade Price
15C-8D	15C826203200407	262	221	192	84.0%	NAT	LESS	552	\$5,625
15C-9D	15C929903200407	299	252	219	84.0%	NAT	LESS	616	\$5,955
15C-8D	15C826203240407	262	221	192	84.0%	NAT	TACO ECM	552	\$5,815
15C-9D	15C929903240407	299	252	219	84.0%	NAT	TACO ECM	616	\$6,143

**15C - LP**

**Note: Boilers require a natural gas to LP conversion kit (field installed). Sold Separately. See below.**

**15C - High Altitude**

**\*Note: Boilers require a High Altitude conversion kit (field installed). Sold Separately. See Below. Item # is for 5000', consult factory for other elevations up to 10,000'.**

High Altitude - Capacity reduces with elevation. Refer to IOM for actual capacity ratings.

**15C (Use Parts Multiplier for All of the Following)**

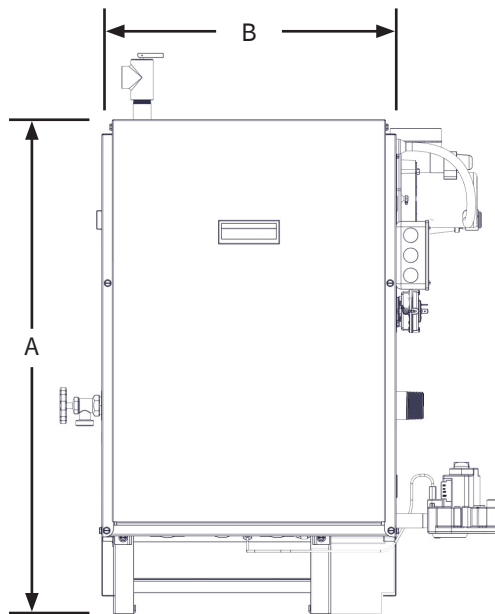
Model	Item Number	Description	Trade Price
15C	550004168	CONVERSION KIT NAT. TO LP 15C-8/9	\$152
15C	550004368	*NATURAL GAS HIGH ALTITUDE CONVERSION KIT - 5000' ELEVATION	\$92
15C	550004373	*LP GAS HIGH ALTITUDE CONVERSION KIT - 5000' ELEVATION	\$92
15C	14624002	FILL-TROL #110 FOR WATER BOILERS 150 MBH OR LESS	\$486
15C	14624003	FILL-TROL #111 FOR WATER BOILERS OVER 150 MBH	\$675

# FSB Cast-Iron Induced Draft Chimney/Side Wall Vented Boilers

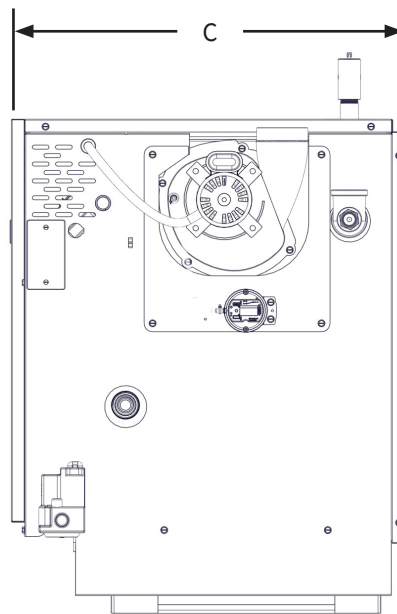
- MBH Input 42 - 187 (CH)
- Up to 84.4% AFUE
- Dependable Cast Iron Heat Exchanger with Cast Iron Push Nipples
- Honeywell High Limit/Electronic Ignition Control
  - Recessed under the boiler's protective jacket
  - Digital Temperature display and diagnostics
  - Plug in connection for the inducer fan
  - Plug in connection for the system pump
- Induced Draft Fan



General Information (See IOM for Complete Instructions)						
Model	FSB-2	FSB-3	FSB-4	FSB-5	FSB-6	
Water Return/Supply	1 1/4" NPT					
Gas	1/2" NPT					
Electrical	120 Volts AC, 60 hertz, 1 phase, less than 12 amps (15 amp circuit recommended)					
Water Content (Gallons)	1.75	3.00	4.25	5.50	6.75	
Dimensions	A-Height	29"	29"	29"	29"	
	B-Width	11"	14 1/4"	17 1/2"	20 3/4"	24"
	C-Depth	23 1/4"	23 1/4"	23 1/4"	23 1/4"	23 1/4"



FRONT



RIGHT SIDE

**FSB - Cast Iron Induced Draft Chimney/Side Wall Vented Boilers**

Model	Item Number	Input MBH	Htg. Cap. MBH	AHRI Net MBH	AFUE	Fuel	Pump	Shp. Wgt. Lbs	Trade Price
FSB-2	FSB204203140407	42.5	36	31	84.4%	NAT	TACO ECM	225	\$3,146
FSB-3	FSB307503140407	75	63	55	84.0%	NAT	TACO ECM	265	\$3,552
FSB-4	FSB411203140407	112.5	95	82	84.0%	NAT	TACO ECM	322	\$3,915
FSB-5	FSB515003140407	150	127	109	84.0%	NAT	TACO ECM	370	\$4,284
FSB-6	FSB618703140407	187.5	158	135	84.0%	NAT	TACO ECM	431	\$5,130
FSB-2	FSB204203100407	42.5	36	31	84.4%	NAT	LESS	225	\$2,948
FSB-3	FSB307503100407	75	63	55	84.0%	NAT	LESS	265	\$3,354
FSB-4	FSB411203100407	112.5	95	82	84.0%	NAT	LESS	322	\$3,717
FSB-5	FSB515003100407	150	127	109	84.0%	NAT	LESS	370	\$3,888
FSB-6	FSB618703100407	187.5	158	135	84.0%	NAT	LESS	431	\$4,932

**FSB - LP**

**Note: Boilers require a natural gas to LP conversion kit (field installed). Sold Separately. See below.**

**FSB - High Altitude**

**\*Note: Boilers require a High Altitude conversion kit (field installed). Sold Separately. See Below. Item # is for 5000', consult factory for other elevations up to 10,000'.**

High Altitude - Capacity reduces with elevation. Refer to IOM for actual capacity ratings.

**FSB (Use Parts Multiplier for All of the Following)**

Model	Item Number	Description	Trade Price
FSB	550002722	NATURAL GAS TO LP CONVERSION KIT (ALL SIZES)	\$139
FSB	43300660	LP TO NATURAL GAS CONVERSION KIT (ALL SIZES)	\$152
FSB-2	550004122	*NATURAL GAS HIGH ALTITUDE CONVERSION KIT - 5000' ELEVATION	\$139
FSB (3-5)	550004129	*NATURAL GAS HIGH ALTITUDE CONVERSION KIT - 5000' ELEVATION	\$139
FSB-6	550004136	*NATURAL GAS HIGH ALTITUDE CONVERSION KIT - 5000' ELEVATION	\$139
FSB-2	550004142	*LP GAS HIGH ALTITUDE CONVERSION KIT - 5000' ELEVATION	\$139
FSB (3-5)	550004145	*LP GAS HIGH ALTITUDE CONVERSION KIT - 5000' ELEVATION	\$139
FSB-6	550004149	*LP GAS HIGH ALTITUDE CONVERSION KIT - 5000' ELEVATION	\$139

**Side Wall Vent Hoods**

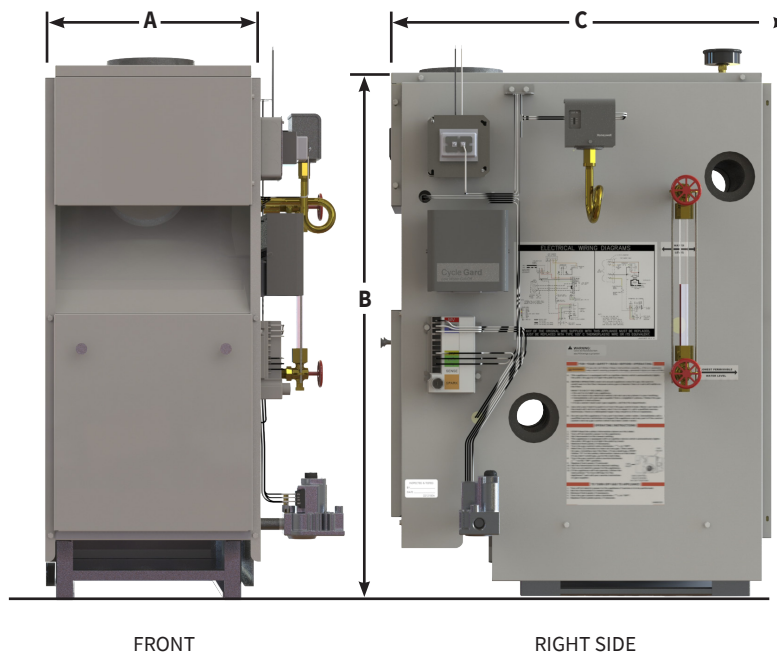
FSB	14629010	TJERNLUND VH-1-3" SIDE WALL VENT HOOD (FSB-2 TO FSB-5)	\$385
FSB	14629011	TJERNLUND VH-1-4" SIDE WALL VENT HOOD (FSB-6)	\$457

## 16 Cast-Iron Steam Boilers

- MBH Input 75 - 299 (CH)
- Up to 82.7% AFUE
- 7 Sizes Available
- Dependable Cast-Iron Heat Exchanger
- Electronic Ignition System
- Automatic Vent Damper
- LWCO (Probe Type) externally mounted for quick access
- Pressure High Limit Control with Pressure Gauge and Gauge Glass
- Stainless Steel Burners
- Easy Serviceability



General Information (See IOM for Complete Instructions)							
Model	1603HSID	1604HSID	1605HSID	1606HSID	1607HSID	1608HSID	1609HSID
Steam Return/Supply	2 1/2" NPT						
Electrical	120 Volts AC, 60 hertz, 1 phase, less than 12 amps (15 amp circuit recommended)						
A-Height	36 3/8"	36 3/8"	36 3/8"	36 3/8"	36 3/8"	36 3/8"	36 3/8"
B-Width	11 1/4"	14 1/2"	17 3/4"	21"	24 1/4"	27 1/2"	30 3/4"
C-Depth	26 1/2"	26 1/2"	26 1/2"	26 1/2"	26 1/2"	26 1/2"	26 1/2"



**16 - Cast Iron Steam Boilers**

Model	Item Number	Input MBH	Htg. Cap. MBH	AHRI Net MBH	AHRI Net SQ. FT. Steam	AFUE	Fuel	Shp. Wgt. lbs	Trade Price
1603HSID	16B307503700607	75	62	47	196	82.7%	NAT	297	\$3,691
1604HSID	16B411203700607	112	91	68	183	82.0%	NAT	368	\$4,128
1605HSID	16B515003700607	150	122	92	383	82.0%	NAT	440	\$4,611
1606HSID	16B618703700607	187	153	115	479	82.0%	NAT	512	\$5,271
1607HSID	16B722503700607	225	183	137	571	82.0%	NAT	584	\$5,887
1608HSID	16B826203700607	262	214	161	671	82.0%	NAT	659	\$6,504
1609HSID	16B929903700607	299	245	184	767	82.0%	NAT	736	\$6,927

**16 - LP**

**Note: Boilers require a natural gas to LP conversion kit (field installed). Sold Separately. See below.**

**16 - High Altitude**

**\*Note: Boilers require a High Altitude conversion kit (field installed). Sold Separately. See Below. Item # is for 5000', consult factory for other elevations up to 10,000'.**

**High Altitude - Capacity Reduces with Elevation. Refer to IOM for Actual Capacity Ratings.**

**16 (Use Parts Multiplier for All of the Following)**

Model	Item Number	Description	Trade Price
1603HSID	43300723	3 SECTION NATURAL GAS TO LP GAS CONVERSION KIT	\$83
1604HSID	43300724	4 SECTION NATURAL GAS TO LP GAS CONVERSION KIT	\$83
1605HSID	43300725	5 SECTION NATURAL GAS TO LP GAS CONVERSION KIT	\$83
1606HSID	43300726	6 SECTION NATURAL GAS TO LP GAS CONVERSION KIT	\$97
1607HSID	43300727	7 SECTION NATURAL GAS TO LP GAS CONVERSION KIT	\$97
1608HSID	43300728	8 SECTION NATURAL GAS TO LP GAS CONVERSION KIT	\$97
1609HSID	43300729	9 SECTION NATURAL GAS TO LP GAS CONVERSION KIT	\$97
16	550004368	*NATURAL GAS HIGH ALTITUDE CONVERSION KIT - 5000' ELEVATION	\$92
16	550004373	*LP GAS HIGH ALTITUDE CONVERSION KIT - 5000' ELEVATION	\$92
16	1630001	WF2 WATER FEEDER USED WITH PS802 LWCO	\$779

# 41L Cast-Iron Commercial Steam and Water Boilers

41L Commercial Boiler Bases are pre-assembled at the factory with burner manifold, burner orifices, gas valves and electronic ignition installed; ready for field installation of the pre-tested sections and appropriate packages.

**Electronic Ignition Base Standard Equipment:**

- Base
- Fire Door
- Burner Orifice
- Manifold
- Main and Pilot Burner
- Electronic Pilot Gas Valve
- Intermittent Pilot Module
- Complete Jacket Assembly

**Steam Trim Package:**

- Low Water Cut-Off
- Glass Gauge Set
- Safety Valve
- Steam Gauge
- Pressure Limit
- Drain Valve

**Water Trim Package:**

- Low Water Cut-Off
- Relief Valve
- Pressure Temp. Gauge
- Drain Valve



**Plug 'N Play Harness and Junction Box**

Individual base and junction box controls are designed for easy installation. The entire boiler links together in a snap with a color-coded factory supplied wiring harness.

**CSD-1 Options**

Available with a CSD-1 option to comply with CSD-1 standards where required by building code. The CSD-1 option provides the increased number of controls and safety devices required to meet CSD-1 standards.

General Information (See IOM for Complete Instructions)				
	Opening	Size	Steam	Water
	A	4"	Supply & Return	Supply & Return
	B	1/2"	Primary LWCO & Gauge Glass Set	Plugged
	C	3/4"	Drain, Left End	Drain, Left End
	C	3/4"	Drain, Right End	Drain, Right End
	D	1/2"	Plugged	Limit Control
	E	1"	Accessories	Accessories
	F*	1"	Safety Valve	Safety Valve
	G	3/4"	Plugged or Electronic (Probe Type) LWCO	Plugged
	*If using opening F for other than Safety Valve or Safety Relief Valve, or Safety/Relief valve is larger than 1", Install Safety/Relief Valve in Header Piping as near boiler as possible.			

**41L - Cast Iron Commercial Steam Boilers**

Model	Item Number	Type*	Input MBH	Output MBH	Net AHRI Steam PPF	Net AHRI Steam SQ. FT.	Net AHRI Water MBH	Therm. Eff.	Shp. Wgt. Lbs.	No. of Sect.	Trade Price
41L400S	CBA040003101207	STD.	360	284	1.33	888	213	79.0%	1200	5	\$15,278
41L500S	CBA050003101207	STD.	450	356	1.33	1111	267	79.0%	1400	6	\$16,982
41L600S	CBA060003101207	STD.	540	427	1.33	1333	320	79.0%	1600	7	\$22,082
41L700S	CBA070003101207	STD.	630	498	1.33	1555	373	79.0%	1800	8	\$23,789
41L800S	CBA080003101207	STD.	720	569	1.33	1777	427	79.0%	2000	9	\$25,560
41L900S	CBA090003101207	STD.	810	640	1.33	2000	480	79.0%	2200	10	\$27,428
41L1000S	CBA100003101207	STD.	900	711	1.33	2222	533	79.0%	2400	11	\$29,127
41L1100S	CBA110003101207	STD.	990	782	1.33	2444	587	79.0%	2600	12	\$34,366
41L1200S	CBA120003101207	STD.	1080	853	1.33	2666	640	79.0%	2900	13	\$36,064
41L1300S	CBA130003101207	STD.	1170	924	1.33	2889	693	79.0%	3100	14	\$38,761
41L1400S	CBA140003101207	STD.	1260	995	1.33	3111	747	79.0%	3300	15	\$40,465
41L1500S	CBA150003101207	STD.	1350	1067	1.33	3333	800	79.0%	3500	16	\$42,209
41L400S	CBA040003103207	G.R.S.	360	284	1.33	888	213	79.0%	1200	5	\$16,854
41L500S	CBA050003103207	G.R.S.	450	356	1.33	1111	267	79.0%	1400	6	\$18,559
41L600S	CBA060003103207	G.R.S.	540	427	1.33	1333	320	79.0%	1600	7	\$25,449
41L700S	CBA070003103207	G.R.S.	630	498	1.33	1555	373	79.0%	1800	8	\$27,185
41L800S	CBA080003103207	G.R.S.	720	569	1.33	1777	427	79.0%	2000	9	\$28,889
41L900S	CBA090003103207	G.R.S.	810	640	1.33	2000	480	79.0%	2200	10	\$30,820
41L1000S	CBA100003103207	G.R.S.	900	711	1.33	2222	533	79.0%	2400	11	\$32,517
41L1100S	CBA110003103207	G.R.S.	990	782	1.33	2444	587	79.0%	2600	12	\$38,430
41L1200S	CBA120003103207	G.R.S.	1080	853	1.33	2666	640	79.0%	2900	13	\$40,156
41L1300S	CBA130003103207	G.R.S.	1170	924	1.33	2889	693	79.0%	3100	14	\$42,843
41L1400S	CBA140003103207	G.R.S.	1260	995	1.33	3111	747	79.0%	3300	15	\$44,555
41L1500S	CBA150003103207	G.R.S.	1350	1067	1.33	3333	800	79.0%	3500	16	\$46,238
41L400S	CBA040003104207	F.P.R.	360	284	1.33	888	213	79.0%	1200	5	\$18,479
41L500S	CBA050003104207	F.P.R.	450	356	1.33	1111	267	79.0%	1400	6	\$20,180
41L600S	CBA060003104207	F.P.R.	540	427	1.33	1333	320	79.0%	1600	7	\$27,068
41L700S	CBA070003104207	F.P.R.	630	498	1.33	1555	373	79.0%	1800	8	\$28,805
41L800S	CBA080003104207	F.P.R.	720	569	1.33	1777	427	79.0%	2000	9	\$30,523
41L900S	CBA090003104207	F.P.R.	810	640	1.33	2000	480	79.0%	2200	10	\$32,445
41L1000S	CBA100003104207	F.P.R.	900	711	1.33	2222	533	79.0%	2400	11	\$34,140
41L1100S	CBA110003104207	F.P.R.	990	782	1.33	2444	587	79.0%	2600	12	\$40,051
41L1200S	CBA120003104207	F.P.R.	1080	853	1.33	2666	640	79.0%	2900	13	\$41,779
41L1300S	CBA130003104207	F.P.R.	1170	924	1.33	2889	693	79.0%	3100	14	\$44,468
41L1400S	CBA140003104207	F.P.R.	1260	995	1.33	3111	747	79.0%	3300	15	\$46,176
41L1500S	CBA150003104207	F.P.R.	1350	1067	1.33	3333	800	79.0%	3500	16	\$47,860

\*Type (STD. - Standard) (G.R.S. - CSD-1 Gravity Return System) (F.P.R. - CSD-1 Boiler Feed Pump Return Control)

**41L - Cast Iron Commercial Water Boilers**

Model	Item Number	Type*	Input MBH	Output MBH	Net AHRI Steam PPF	Net AHRI Steam SQ. FT.	Net AHRI Water MBH	Therm. Eff.	Shp. Wgt. Lbs.	No. of Sect.	Trade Price
41L400W	CBB040003101207	STD.	360	288	n/a	n/a	250	80.0%	1200	5	\$13,851
41L500W	CBB050003101207	STD.	450	360	n/a	n/a	313	80.0%	1400	6	\$15,555
41L600W	CBB060003101207	STD.	540	432	n/a	n/a	376	80.0%	1600	7	\$20,868
41L700W	CBB070003101207	STD.	630	504	n/a	n/a	438	80.0%	1800	8	\$22,575
41L800W	CBB080003101207	STD.	720	576	n/a	n/a	501	80.0%	2000	9	\$24,348
41L900W	CBB090003101207	STD.	810	648	n/a	n/a	563	80.0%	2200	10	\$26,164
41L1000W	CBB100003101207	STD.	900	720	n/a	n/a	626	80.0%	2400	11	\$27,857
41L1100W	CBB110003101207	STD.	990	792	n/a	n/a	689	80.0%	2600	12	\$33,193
41L1200W	CBB120003101207	STD.	1080	864	n/a	n/a	751	80.0%	2900	13	\$34,876
41L1300W	CBB130003101207	STD.	1170	936	n/a	n/a	814	80.0%	3100	14	\$37,563
41L1400W	CBB140003101207	STD.	1260	1008	n/a	n/a	877	80.0%	3300	15	\$39,274
41L1500W	CBB150003101207	STD.	1350	1080	n/a	n/a	939	80.0%	3500	16	\$41,012
41L400W	CBB040003106207	CSD-1	360	288	n/a	n/a	250	80.0%	1200	5	\$15,590
41L500W	CBB050003106207	CSD-1	450	360	n/a	n/a	313	80.0%	1400	6	\$17,295
41L600W	CBB060003106207	CSD-1	540	432	n/a	n/a	376	80.0%	1600	7	\$24,398
41L700W	CBB070003106207	CSD-1	630	504	n/a	n/a	438	80.0%	1800	8	\$26,137
41L800W	CBB080003106207	CSD-1	720	576	n/a	n/a	501	80.0%	2000	9	\$27,854
41L900W	CBB090003106207	CSD-1	810	648	n/a	n/a	563	80.0%	2200	10	\$29,724
41L1000W	CBB100003106207	CSD-1	900	720	n/a	n/a	626	80.0%	2400	11	\$31,420
41L1100W	CBB110003106207	CSD-1	990	792	n/a	n/a	689	80.0%	2600	12	\$37,435
41L1200W	CBB120003106207	CSD-1	1080	864	n/a	n/a	751	80.0%	2900	13	\$39,137
41L1300W	CBB130003106207	CSD-1	1170	936	n/a	n/a	814	80.0%	3100	14	\$41,827
41L1400W	CBB140003106207	CSD-1	1260	1008	n/a	n/a	877	80.0%	3300	15	\$43,535
41L1500W	CBB150003106207	CSD-1	1350	1080	n/a	n/a	939	80.0%	3500	16	\$45,219

**41L (Use Parts Multiplier for All of the Following)**

Model	Item Number	Description	Trade Price
41L	14662311	STEAM MANUAL RESET PRESSURE CONTROL (L4079B1033)	\$446
41L	1280001	M-M 47-2 LWCO & FEEDER (MODELS 400-1500)	\$2,003
41L	14662313	STRAP ON OPERATING CONTROL (L6006C-1034)	\$270

**\*Type (STD. - Standard) (CSD-1)**

## 41L - Standard Equipment

Standard Equipment, Steam:

(67 Low Water Cut-Off, PA404A Pressuretrol and Syphon Loop, Water Gauge Glass Set with Glass and Rods, Steam Gauge, Pop Safety Valve).

Standard Equipment, Water:

(L4006A automatic reset high limit aquastat, 30PSI safety relief valve, temperature/pressure gauge).

### CSD-1 Control Requirements

The optional CSD-1 controls modify the standard 41L boiler on both the fuel train and the steam or water trim as follows:

#### STEAM BOILER WITH BOILER FEED PUMP RETURN SYSTEM

- Add SF-500 Hydrolevel Safeguard Manual Reset L.W.C.O.
- Add 150S-B-MD L.W.C.O. and Pump Control
- Delete 67D-1 L.W.C.O.
- Add L404L Manual Reset Pressure Control

#### STEAM BOILER WITH GRAVITY OR CONDENSATE PUMP RETURN SYSTEM

- Add SF-500 Hydrolevel Safeguard Manual Reset L.W.C.O.
- Add L404C Manual Reset Pressure Control

The SF-500 L.W.C.O. is the secondary L.W.C.O. to the 67D-1 L.W.C.O. furnished standard with the boiler.

#### WATER BOILER WITH CSD-1 OPTION:

- Add SF-500 Hydrolevel Safeguard Manual Reset L.W.C.O.
- Add L4006E Manual Reset High Limit Control

#### FUEL TRAIN

Substitute CSD-1 fuel train(s) for standard which includes (per base): Intermittent Pilot Module (PT#1140007) control Stop w/alarm 1003-612A & (PT#1140008) Control CSD1 Lockout Board BD 1145-2 with manual reset; Independent Pilot Gas Line (Manual shut-off valve, Pressure regulator, Safety shut-off valve); Main Gas Line (Gas Valve, Two leak test cocks, Manual shut-off downstream of the main gas valve).

#### NOTES:

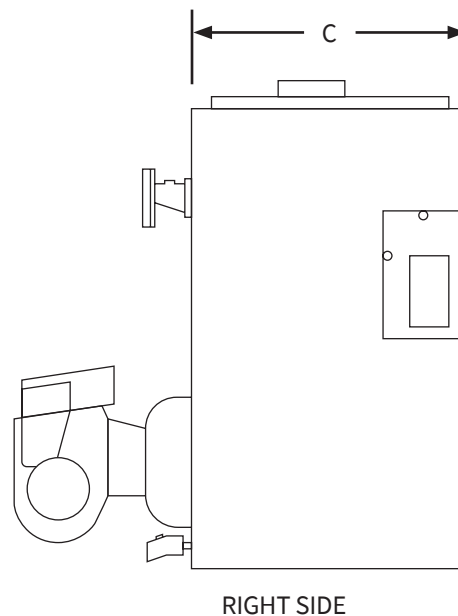
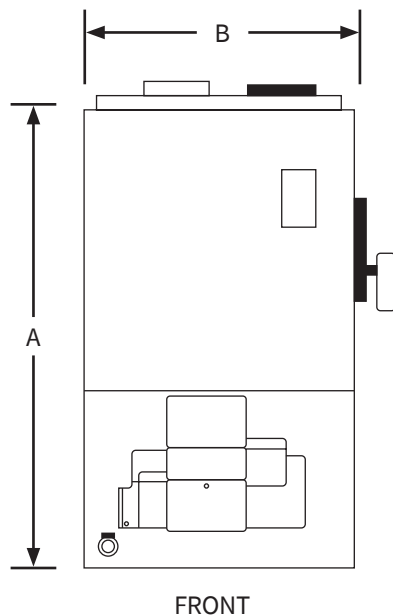
1. The 41L-400 does not require fuel train modifications for CSD-1. The standard fuel train is furnished.
2. Control equipment is included to meet Dunkirk's interpretation of CSD-1. Consult local authorities before the installation of the boiler. Additional controls, if required can be provided at an additional price.

## KWC Cast-Iron Chimney Vented Boilers

- MBH Input 112 - 217
- Up to 86.2% AFUE
- Advanced High Efficiency Heat Exchanger Design
- Hydrolevel Control:
  - Hydrolevel 3250: with digital display and diagnostics; adjusts the water temperature based on your heating system demand which further reduces your heating costs. It also features a built-in low water cut-off (LWCO) to protect the boiler from potentially dangerous low water conditions.
- Compact Footprint
- Easy Serviceability



General Information (See IOM for Complete Instructions)					
Model		3KWC	4KWC	5KWC	
Water Return/Supply		1 1/4" NPT			
Drain Valve		3/4" NPT			
Electrical		120 Volts AC, 60 hertz, 1 phase, less than 12 amps (15 amp circuit recommended)			
Water Content (Gallons)		9.6	11.6	13.7	
Dimensions	A-Height	36"	36"	36"	
	B-Width	20 1/2"	20 1/2"	20 1/2"	
	C-Depth	14 1/2"	17 3/4"	21"	



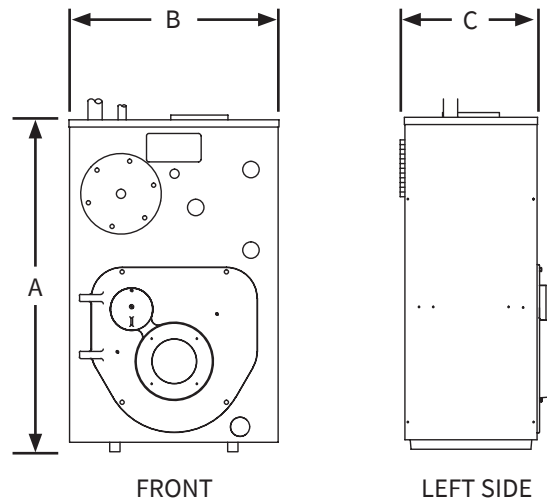
<b>KWC - Cast Iron Chimney Vented Oil Boilers with Beckett Burner</b>											
<b>Model</b>	<b>Item Number</b>	<b>Input MBH</b>	<b>Htg. Cap. MBH</b>	<b>AHRI NET MBH</b>	<b>AFUE</b>	<b>Pump</b>	<b>Tankless Coil</b>	<b>Firing Rate GPH</b>	<b>Tankless GPM</b>	<b>Shp. Wgt. lbs</b>	<b>Trade Price</b>
3KWC0.80	KWC308031200107	112	98	85	86.0%	LESS	LESS	0.80	N/A	470	\$3,538
4KWC1.00	KWC410031200107	140	122	106	86.2%	LESS	LESS	1.00	N/A	545	\$3,797
4KWC1.25	KWC412531200107	175	152	132	86.0%	LESS	LESS	1.25	N/A	545	\$3,797
5KWC1.35	KWC513531200107	189	167	145	86.0%	LESS	LESS	1.35	N/A	630	\$5,103
5KWC1.55	KWC515531200107	217	189	164	86.0%	LESS	LESS	1.55	N/A	630	\$5,103
3KWC0.80	KWC308031240107	112	98	85	86.0%	TACO ECM	LESS	0.80	N/A	470	\$3,661
4KWC1.00	KWC410031240107	140	122	106	86.2%	TACO ECM	LESS	1.00	N/A	545	\$3,797
4KWC1.25	KWC412531240107	175	152	132	86.0%	TACO ECM	LESS	1.25	N/A	545	\$3,797
5KWC1.35	KWC513531240107	189	167	145	86.0%	TACO ECM	LESS	1.35	N/A	630	\$5,221
5KWC1.55	KWC515531240107	217	189	164	86.0%	TACO ECM	LESS	1.55	N/A	630	\$5,221
3KWC0.80T	KWC308032200107	112	98	85	86.0%	LESS	COIL	0.80	3.05	470	\$4,012
4KWC1.00T	KWC410032200107	140	122	106	86.2%	LESS	COIL	1.00	3.25	545	\$4,272
4KWC1.25T	KWC412532200107	175	152	132	86.0%	LESS	COIL	1.25	3.50	545	\$4,272
5KWC1.35T	KWC513532200107	189	167	145	86.0%	LESS	COIL	1.35	3.60	630	\$5,696
5KWC1.55T	KWC515532200107	217	189	164	86.0%	LESS	COIL	1.55	3.80	630	\$5,696
3KWC0.80T	KWC308032240107	112	98	85	86.0%	TACO ECM	COIL	0.80	3.05	470	\$4,134
4KWC1.00T	KWC410032240107	140	122	106	86.2%	TACO ECM	COIL	1.00	3.25	545	\$4,396
4KWC1.25T	KWC412532240107	175	152	132	86.0%	TACO ECM	COIL	1.25	3.50	545	\$4,396
5KWC1.35T	KWC513532240107	189	167	145	86.0%	TACO ECM	COIL	1.35	3.60	630	\$5,814
5KWC1.55T	KWC515532210107	217	189	164	86.0%	TACO ECM	COIL	1.55	3.80	630	\$5,814
<b>KWC (Use Parts Multiplier for All of the Following)</b>											
<b>Model</b>	<b>Item Number</b>	<b>Description</b>									<b>Trade Price</b>
KWC	550002647	4 SECTION RE-RATE KIT 4100/4125									\$40
KWC	550004307	5 SECTION RE-RATE KIT 5155 TO 5135									\$40
KWC	550004308	5 SECTION RE-RATE KIT 5135 TO 5155									\$40
KWC	14624002	FILL-TROL FOR WATER BOILERS 150 MBH OR LESS									\$486
KWC	14624003	FILL-TROL FOR WATER BOILERS OVER 150 MBH									\$675

## SBO Cast-Iron Steam Boilers

- MBH Input 119 - 210 (CH)
- Up to 85.6% AFUE
- Dependable Cast Iron Heat Exchanger
- Honeywell Operating Control
- Burner swing door for easy serviceability
- Multiple Firing Rates
- Chimney Venting
- Optional tankless domestic hot water (DHW) coil



General Information (See IOM for Complete Instructions)				
Model	SBO-3085	SBO-3105	SBO-4125	SBO-4150
Return/Supply Tappings	1 1/4" Return NPT, 2" Supply NPT			
Oil	3/8" O.D. Copper (runs 50' or less, 1/2" O.D. Copper (runs over 50')			
Electrical	120 Volts AC, 60 hertz, 1 phase, less than 12 amps (15 amp circuit recommended)			
Water Content (Gallons)	12	12	14.87	14.87
Dimensions	A-Height	35"	35"	35"
	B-Width	22 1/8"	22 1/8"	22 1/8"
	C-Depth	15 3/4"	15 3/4"	19 3/4"



**SBO - Cast Iron Steam Oil Boilers Less Burner**

Model	Item Number	Type	Input MBH	Htg. Cap. MBH	AHRI Net MBH	AHRI Net Sq. Ft. Steam	AFUE	Burner	Firing Rate GPH	Shp. Wgt. lbs	Trade Price
SBO-3105	SBO310521700107	LESS	147	127	95	396	85.0%	LESS	1.05	538	\$3,306
SBO-4150	SBO415021700107	LESS	210	180	135	563	85.0%	LESS	1.50	650	\$4,649

**SBO (Use Equipment Multiplier for All of the Following)**

Model	Item Number	Description	Trade Price
SBO	550004158P	TANKLESS COIL WITH CONTROL	\$583
SBO-3105	550004153P	SBO-3105 BECKETT BURNER IN A BOX KIT	\$980
SBO-4150	550004154P	SBO-4150 BECKETT BURNER IN A BOX KIT	\$980

**Please Note: Oil Fired Steam Boilers are sold less burner. Please add burner in a box kit to your order.**

**Tankless Coil Kits are sold separately.**

**SBO (Use Parts Multiplier for All of the Following)**

Model	Item Number	Description	Trade Price
SBO	550004155	3085/3105 BECKETT RERATE KIT	\$191
SBO	550004156	4125/4150 BECKETT RERATE KIT	\$191

## H2O GL Single Coil Glass Lined Indirect Water Heaters

- 31 - 106 Gallon Capacities
- Easy to Install
- Low Pressure Drop
- Magnesium Anode Rod (Corrosion Protection)
- Enameled Coated Steel Tank and Coil
- Minimal Standby Losses
- Flexible Scratch Resistant Jacket
- Aquastat Sensor Well
- Temperature Pressure Relief Valve



(H2O40GL Model Shown)

General Information (See IOM for Complete Instructions)					
Maximum Working Pressure: 150 psi for all Capacities					
Model	Piping Connections NPT		Dimensions		
	Domestic Water In/Out	Boiler Water In/Out	Diameter	Height	Weight
H2O 30 GL	1"	1"	24"	33"	119 lbs
H2O 40 GL	1"	1"	24"	45"	180 lbs
H2O 50 GL	1"	1"	24"	51"	200 lbs
H2O 80 GL	1"	1"	30"	48"	243 lbs
H2O 105 GL	1"	1"	30"	62"	393 lbs

<b>H2O GL - Single Coil Glass Lined Indirect Water Heaters (While Supplies Last)</b>								
<b>Model</b>	<b>Item Number</b>	<b>Storage Capacity gal</b>	<b>Type</b>	<b>Max. First Hour Rating gal/hr @</b>	<b>Continuous Rating gal/hr @</b>	<b>Boiler Output Req.</b>	<b>Shp. Wgt. lbs</b>	<b>Trade Price</b>
H2O 30 GL	H2OIG30PN	31	GLASS LINED	155	124	100,000	119	\$1,399
H2O 40 GL	H2OIG40PN	42	GLASS LINED	256	220	120,000	180	\$1,427
H2O 50 GL	H2OIG50PN	53	GLASS LINED	310	268	140,000	200	\$1,622
H2O 80 GL	H2OIG80PN	79	GLASS LINED	346	281	180,000	243	\$2,252
H2O 105 GL	H2OIG105PN	106	GLASS LINED	440	345	220,000	393	\$3,522

<b>H2O GL (Use Parts Multiplier for All of the Following)</b>			
<b>Model</b>	<b>Item Number</b>	<b>Description</b>	<b>Trade Price</b>
30-105 GAL.	240010926	T & P VALVE 3/4, 100XL-8	\$72
30-105 GAL.	AQ-020.01	AQUASTAT WELL	\$50
30-105 GAL.	240013432	AQUASTAT	\$198
30-50 GAL.	240012211	PLASTIC TOP CAP	\$40
80-105 GAL.	240012239	PLASTIC TOP CAP	\$54
40-105 GAL.	240012212	PLASTIC FRONT CAP	\$9
30 GAL.	550003640	ANODE KIT MAGNESIUM (INCLUDES ANODE, GASKET & BUSHING)	\$52
40-50 GAL.	550003505	ANODE KIT MAGNESIUM (INCLUDES ANODE, GASKET & BUSHING)	\$52
80-105 GAL.	550003527	ANODE KIT MAGNESIUM (INCLUDES ANODE, GASKET & BUSHING)	\$100
40-50 GAL.	550003694	ANODE KIT ALUMINUM (INCLUDES ANODE, GASKET & BUSHING)	\$52
80-105 GAL.	550003695	ANODE KIT ALUMINUM (INCLUDES ANODE, GASKET & BUSHING)	\$100
30-50 GAL.	240012250	FLANGE CAP	\$54
80-105 GAL.	240012251	FLANGE CAP	\$21
30-50 GAL.	240012210	FLANGE GASKET	\$2
80-105 GAL.	240012238	FLANGE GASKET	\$4
40-50 GAL.	550003510	HARDWARE KIT (INCLUDES BOLTS & NUTS FOR FLANGE CAP)	\$4
80-105 GAL.	550003525	HARDWARE KIT (INCLUDES BOLTS & NUTS FOR FLANGE CAP)	\$4
H2O 30 GL	240012474	OUTSIDE TANK COVER	\$145
H2O 40 GL	240012329	OUTSIDE TANK COVER	\$147
H2O 50 GL	240012330	OUTSIDE TANK COVER	\$158
H2O 80 GL	240012331	OUTSIDE TANK COVER	\$110
H2O 105 GL	240012332	OUTSIDE TANK COVER	\$193
30-50 GAL.	240012483	TEMPERATURE GAUGE	\$22

## TERMS & CONDITIONS OF SALE - GENERAL TERMS

**PRICES & SPECIFICATIONS:** All pricing and specifications subject to change without notice. The prices herein supersede all prior quotations.

**ORDERS:** Orders will be accepted based on prices in effect at the time the order is received. No order or contract will become an obligation on our part until accepted by the General Sales Department. ECR International shall not be liable for any delay or failure in the delivery or shipment of goods due to any cause or causes beyond its control.

**TAXES:** Add to the prices and terms quoted any manufacturers' or sales tax payable on the transaction under any effective statute.

---

### SHIPMENTS

**TRUCKLOADS:** \$60,000 Net Order Value - Freight Prepaid. Indirect Water Heaters and Commercial Boiler lines can be added to any residential order for freight purposes. Authorized Distributors can combine Argo, Airco, Dunkirk, EMI, Olsen, Pennco, Utica Boilers and Utica Heating on one purchase order to earn free freight.

Stop off charges of \$200 will apply to stop off locations within 100 miles of the final destination. Please call for pricing for stop off special handling for a location further than 100 miles or for special handling pricing for services such as lift gate, unloading assistance, etc.

**LESS THAN TRUCKLOAD SHIPMENT: F.O.B. ECR INTERNATIONAL - FACTORY OR WAREHOUSE**

**See Shipping and Delivery Policy for full details.**

---

### SALES ORDER INFORMATION CHECK LIST

The following information must be included on equipment or parts orders to insure proper shipment & invoicing:

- |  |  |
|--|--|
| 1) Purchase Order Number                       | 7) Pricing   |
| 2) Bill to Address                             | 8) Product Description (Model, Size, etc.)   |
| 3) Ship to Address                             | 9) Fuel Type (Oil, Natural Gas, Propane)   |
| 4) Method of Shipment (trailer load, UPS)      | 10) Electrical (Operating Voltage, Cycles, Phases, etc.)   |
| 5) Requested Ship Date                         | 11) Non-Standard Equipment (Indicate "Optional" when substituted for standard equipment at extra cost listed. Indicate added to standard equipment.) |
| 6) Special Instructions ("Carrier to call...") | 12) Kits or Parts (Orders for kits or parts must indicate equipment size and series.)  |

Send orders to:

**E-mail: [ecrorderentry@ecrinternational.com](mailto:ecrorderentry@ecrinternational.com)**

**Fax: (315) 724-9319**

Please note the following Remit to Address:

**ECR International, Inc.**

**P.O. Box 8000 Department 039**

**Buffalo, NY 14267**

## SHIPPING AND DELIVERY POLICY

Shipping and Delivery Policy	
Order Type / Value*	Freight Charges*
All UPS, Fed, Ex, DHL, etc. Shipments	Freight & Handling Cost Apply
\$0.00 - \$5,000	Freight & Handling Cost Apply
\$5,001 - \$15,000	\$350
\$15,001 - \$59,999	\$300
\$60,000**	FFA

\*The above freight terms apply to single purchase orders or combined purchase orders from one company with one stop totaling the above reference tiers. Additional stops will incur additional charges. Pooling from multiple companies is not allowed under this freight program.

\*\*Orders of \$60,000 or more from one company with multiple stops will incur a \$200 stop-off charge per stop after the initial stop. Each stop location must be within 100 miles of the initial stop or additional charges will apply.

Because of packaging and shipping constraints, EMI products do not qualify for this freight program unless prior approval is obtained from your Regional Sales Manager.

Except for FFA qualifying orders, the above US shipping rates apply to shipments east of the Mississippi River. If shipments are beyond that area actual freight rates will apply.

These rates apply to destinations where no special delivery requirements are needed. Additional charges will apply when special handling and delivery is incurred. Pre-shipment notification of any special shipping or handling provisions is required. Unless otherwise noted, all products will be shipped FOB Shipping Point and transfer of ownership and responsibility is assumed by the customer for all loss or damage. ECR International will not be held liable for any damage, loss or costs which occur due to shipping delay. ECR retains the right to change or alter this program without notice and without penalty.

Family bundling is encouraged; boilers, furnaces, A/C, and controls can be combined to achieve freight tiers.

If you have any questions, please contact your ECR representative or ECR Regional Manager.

## U.S. DISTRIBUTOR - RETURN MATERIAL POLICY (RMA)

**Prior Approval Required** - All returns for exchange, credit, repair service or warranty claim must be approved by ECR International and require an RMA number prior to return of the material. A request must be completed via the online web portal. Please log on to [www.ecrcustomerportal.com](http://www.ecrcustomerportal.com) to complete your request for return. If you do not already have access to the customer web portal, please contact ECR International Customer Service at 1-800-325-5479 to be set-up.

**Eligibility** - An RMA Request must be received within 60 days from the date of invoice for returns of New & Unused product in original packaging. A restocking fee of 15% will be charged for all new and unused returns that are approved for return. Special Order Products (items not offered as standard in ECR International trade price book) are not eligible for return as new and unused product. Request for Warranty Returns must be made within the period covered by the warranty and must fall under the terms and conditions specified in the warranty.

**Repair Service** - Request for repair or rework of product damaged by customer is classified as Repair Service. Repair Service is billed at \$75.00 per hour for labor and net price for parts used in repair/rework. ECR International's Return Material (RM) department will evaluate the items returned for repair service. The customer will receive an estimate for the dollar amount, determined by ECR International's RM department, required to complete the repairs requested. A Purchase Order (PO) from the customer for that amount will be required before any work is performed.

**RMA Expiration Parts** - Once the RMA number is issued, the product must be returned within 60 days of the RMA date, or the RMA will be canceled. Products approved for return that are received after 60 days from the RMA date will not be accepted.

**Shipping & Packaging** - All returns must have a valid RMA number clearly displayed on the exterior of the package or the package will not be accepted. All returns of new and unused product must be in the original packaging. All returns must be shipped prepaid by the customer unless otherwise directed by ECR as indicated on the RMA Verification. Ship all approved return material to the facility indicated on the approved RMA Request by the date indicated.

**Replacement Product** - If replacement product is desired it must be indicated on the RMA Request. A PO# is required for the replacement shipment and must be indicated on the RMA Request. All replacement products will be invoiced at the time of shipment. ECR will pay the ground freight for all warranty replacements.

**Application of Credit** - Credit for returned product will be applied to the customer's account (less restocking fees for New and Unused returns) only after confirmation of receipt by ECR and inspection of the product. Issuance of a credit for a partial return of product does not relieve the customer from the obligation to remit payment for the merchandise not returned in accordance with the payment terms referenced on the customer's invoice(s). Customer will have the option to have any product that is denied for credit returned at their expense.

**Returning Installed Finished Goods** (Complete boilers, furnaces, A/C units etc.)

- Equipment that is already installed should be repaired not replaced. Exceptions: leaking cast iron boilers in their first year or leaking water tanks. Leaking drain valves on water tanks are replaceable, make sure the leak is not on the valve. Tanks returned with the only leak being on the valve will be denied.
- Cast iron blocks (not complete boilers) older than one year and Indirect tanks that are leaking do not require prior approval. Simply type "Leaking" into the Authorization field and it will be accepted. Complete Cast iron boilers within their first year will still require prior authorization for full boiler replacement.
- Water leaks on copper and condensing boilers are repairable and will require prior authorization for any reason for removal.
- To guarantee credit, if a situation arises where equipment does need to be replaced, **prior authorization** from ECR is required. This will ensure that ECR has visibility to the problem and has had an opportunity to correct it prior to removal. *All equipment considered for removal should first be brought to the attention of Technical Support at 1-800-253-7900.*
- If approved, an authorization number will be given that will need to be entered in the RMA on the Customer Portal.
- For equipment that is removed from service without prior authorization by ECR, contact Customer Service. They will evaluate the circumstance and can issue a conditional RMA. The equipment will be tested in our lab to determine if removal was warranted and if credit will be given.

**RMA Expiration Equipment** - Once the RMA number is issued, the product must be returned within 30 days of the RMA date, or the RMA will be canceled. Products approved for return that are received after 30 days from the RMA date will not be accepted.

**This page is intentionally left blank,**

**This page is intentionally left blank,**

**This page is intentionally left blank,**



**Simple. Comfortable. Affordable.**

[www.penncoboilers.com](http://www.penncoboilers.com)

**ECR** international

2260 Dwyer Avenue, Utica, NY 13501  
Tel. 800 325 5479  
[www.ecrinternational.com](http://www.ecrinternational.com)

All specifications subject to change without notice.  
©2025 ECR International, Inc.  
PN 240004966 REV. W [08/28/2025]