



Trade Price Book - 2025

Effective 7/21/25



Affordable Heating and Hot Water Solutions

ECR international

Manufactured by:
ECR International Inc.
2260 Dwyer Avenue, Utica, NY 13501
Tel. 800 325 5479
www.ecrinternational.com
PN 240011138 REV. V [08/28/2025]

CUSTOMER SUPPORT TEAM

CUSTOMER SERVICE:

Phone: (800) 325-5479 option #2
Fax: (315) 724-9319
Email Purchase Orders: ecrorderentry@ecrinternational.com
Email Inquiries: customerservice@ecrinternational.com

TECHNICAL SUPPORT:

Phone: (800) 253-7900
Fax: (866) 432-7329
Email: technical.support@ecrinternational.com

MARKETING SUPPORT:

Phone: (800) 325-5479
Fax: (315) 733-1759
E-mail: marketing@ecrinternational.com

WWW.ECRCUSTOMERPORTAL.COM

Your On-line Access to:

- Order Status
- Invoices
- Statements
- RMA
- Serial Number Look-Up
- Literature

Table of Contents

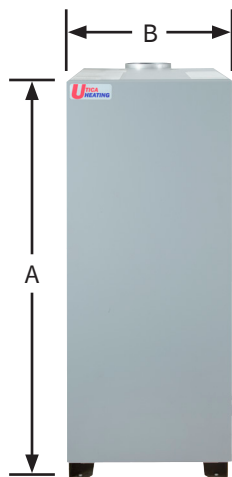
<u>Natural / LP Boilers</u>		4-11
UH15B-K	Cast Iron Chimney Vented Boilers (59-235 MBH)	4
UH15C	Cast Iron Chimney Vented Boilers (262-299 MBH)	6
UHSW	Cast Iron Induced Draft Chimney/Side Wall Vented Boilers (42-187 MBH)	8
UH16	Cast Iron Steam Boilers (75-299 MBH)	10
<u>Oil Boilers</u>		12-13
UHKWC	Cast Iron Chimney Vented Boilers (112-217 MBH)	12
<u>Indirect Tanks</u>		14-15
H2O GL UH	Single Coil Glass Lined Indirect Water Heaters (31-106 GALS)	14
<u>Terms & Conditions of Sale</u>		16
<u>Shipping & Delivery Policy</u>		17
<u>RMA Policy</u>		18

UH15B-K Cast Iron Chimney Vented Boilers

- MBH Input 59 - 235 (CH)
- 84% AFUE
- Dependable Cast Iron Heat Exchanger
- Internal Operating Control
- Digital temperature display and diagnostics
- Built-In Low Water Cut-Off (LWCO)
- Control monitors water temperature and delays burner start until residual heat has been transferred to the system for maximum efficiency.
- Low Profile draft hood diverter



General Information (See IOM for Complete Instructions)							
Model	UH15B-060K	UH15B-095K	UH15B-120K	UH15B-150K	UH15B-175K	15B-205K	15B235K
Water Return/Supply	1 1/4" NPT						
Gas	1/2" NPT				3/4" NPT		
Electrical	120 Volts AC, 60 hertz, 1 phase, less than 12 amps (15 amp circuit recommended)						
Water Content (Gallons)	1.9	2.3	2.8	3.2	3.7	4.1	4.6
A-Height	32 1/8"	32 1/8"	32 1/8"	32 1/8"	32 1/8"	32 1/8"	32 1/8"
B-Width	13 3/8"	13 3/8"	16 1/4"	19"	21 7/8"	27 1/2"	27 1/2"
C-Depth	24 1/8"	24 1/8"	24 1/8"	24 1/8"	24 1/8"	24 1/8"	24 1/8"



FRONT



LEFT SIDE

UH15B-K - Cast-Iron Chimney Vented Boilers

Model	Item Number	Input MBH	Htg. Cap. MBH	AHRI Net MBH	AFUE	Pump	Fuel	Ship Wgt. lbs	Trade Price
UH15B-060K	15B306003200509	59	50	43	84.0%	LESS	GAS	215	\$2,749
UH15B-095K	15B409503200509	90.8	76.3	66	84.0%	LESS	GAS	250	\$3,026
UH15B-120K	15B512003200509	120	101	88	84.0%	LESS	GAS	295	\$3,266
UH15B-150K	15B615003200509	149	125	109	84.0%	LESS	GAS	335	\$3,671
UH15B-175K	15B717503200509	175	147	128	84.0%	LESS	GAS	385	\$4,065
UH15B-205K	15B820503200509	205	172	150	84.0%	LESS	GAS	420	\$4,592
UH15B-235K	15B923503200509	235	197	172	84.0%	LESS	GAS	465	\$5,018
UH15B-060K	15B306003240509	59	50	43	84.0%	TACO ECM	GAS	215	\$2,952
UH15B-095K	15B409503240509	90.8	76.3	66	84.0%	TACO ECM	GAS	250	\$3,232
UH15B-120K	15B512003240509	120	101	88	84.0%	TACO ECM	GAS	295	\$3,472
UH15B-150K	15B615003240509	149	125	109	84.0%	TACO ECM	GAS	335	\$3,877
UH15B-175K	15B717503240509	175	147	128	84.0%	TACO ECM	GAS	385	\$4,268
UH15B-205K	15B820503240509	205	172	150	84.0%	TACO ECM	GAS	420	\$4,796
UH15B-235K	15B923503240509	235	197	172	84.0%	TACO ECM	GAS	465	\$5,221

UH15B-K - LP

Note: Boilers require a natural gas to LP conversion kit (field installed). Sold Separately. See below.

UH15B-K - High Altitude

***Note: Boilers require a High Altitude conversion kit (field installed). Sold Separately. See Below. Item # is for 5000', consult factory for other elevations up to 10,000'.**

High Altitude - Capacity reduces with elevation. Refer to IOM for actual capacity ratings.

UH15B-K (Use Parts Multiplier for All of the Following)

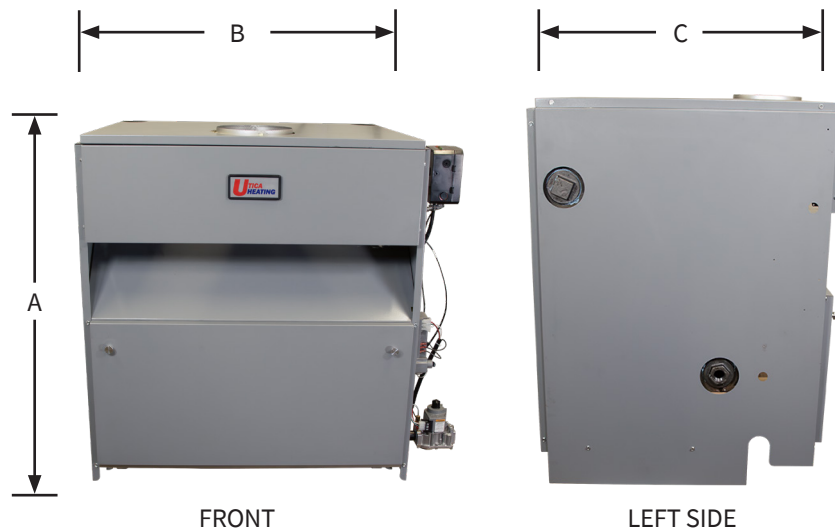
Model		Description	Trade Price
UH15B-K	550003778	NATURAL GAS TO LP GAS CONVERSION KIT	\$112
UH15B-K	550003884	LP GAS TO NATURAL GAS CONVERSION KIT	\$123
UH15B-K (3 Sec)	550003786	*NATURAL GAS HIGH ALTITUDE CONVERSION KIT - 5000' ELEVATION	\$77
UH15B-K (4-9 Sec)	550003781	*NATURAL GAS HIGH ALTITUDE CONVERSION KIT - 5000' ELEVATION	\$97
UH15B-K (3 Sec)	550003774	*LP GAS HIGH ALTITUDE CONVERSION KIT - 5000' ELEVATION	\$88
UH15B-K (4-9 Sec)	550003774	*LP GAS HIGH ALTITUDE CONVERSION KIT - 5000' ELEVATION	\$88

UH15C Cast Iron Chimney Vented Boilers

- MBH Input 262 - 299 (CH)
- 84% AFUE
- Dependable Cast Iron Heat Exchanger
- Internal Operating Control
- Digital temperature display and diagnostics
- Built-In Low Water Cut-Off (LWCO)
- Control monitors water temperature and delays burner start until residual heat has been transferred to the system for maximum efficiency.
- Low Profile draft hood diverter



General Information (See IOM for Complete Instructions)		
Model	UH15C-8D	UH15C-9D
Water Return/Supply	1 1/4" NPT	
Gas	1/2" NPT	
Electrical	120 Volts AC, 60 hertz, 1 phase, less than 12 amps (15 amp circuit recommended)	
Water Content (Gallons)	12.7	14.4
A-Height	36 3/8"	36 3/8"
B-Width	27 1/2"	30 3/4"
C-Depth	26 1/2"	26 1/2"



15C - Cast-Iron Chimney Vented Boilers

Model	Item Number	Input MBH	Htg. Cap. MBH	AHRI Net MBH	AFUE	Pump	Fuel	Ship Wgt. lbs	Trade Price
UH15C-8D	15C826203240409	262	221	192	84.0%	TACO ECM	GAS	552	\$5,815
UH15C-9D	15C929903240409	299	252	219	84.0%	TACO ECM	GAS	616	\$6,143
UH15C-8D	15C826203200409	262	221	192	84.0%	LESS	GAS	552	\$5,625
UH15C-9D	15C929903200409	299	252	219	84.0%	LESS	GAS	616	\$5,955

15C - LP

Note: Boilers require a natural gas to LP conversion kit (field installed). Sold Separately. See below.

UH15B-K - High Altitude

***Note: Boilers require a High Altitude conversion kit (field installed). Sold Separately. See Below. Item # is for 5000', consult factory for other elevations up to 10,000'.**

High Altitude - Capacity reduces with elevation. Refer to IOM for actual capacity ratings.

15C (Use Parts Multiplier for All of the Following)

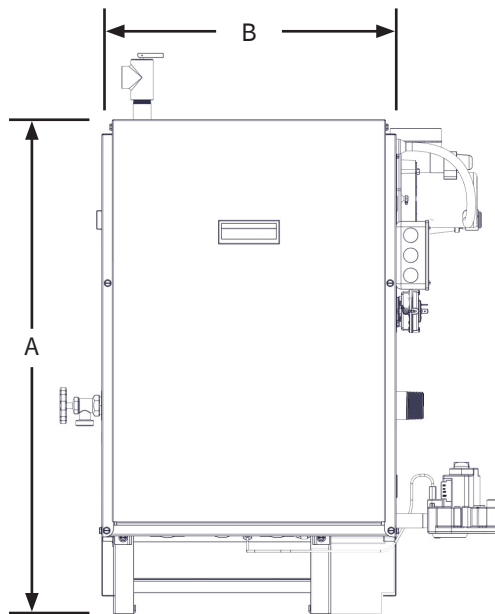
Model	Item Number	Description	Trade Price
UH15C	550004168	CONVERSION KIT NAT. TO LP UH15C-8D/9D	\$152
UH15C	550004368	*NATURAL GAS HIGH ALTITUDE CONVERSION KIT - 5000' ELEVATION	\$92
UH15C	550004373	*LP GAS HIGH ALTITUDE CONVERSION KIT - 5000' ELEVATION	\$92
UH15C	14624002	FILL-TROL #110 FOR WATER BOILERS 150 MBH OR LESS	\$486
UH15C	14624003	FILL-TROL #111 FOR WATER BOILERS OVER 150 MBH	\$675

UHSW Cast-Iron Induced Draft Chimney/Side Wall Vented Boilers

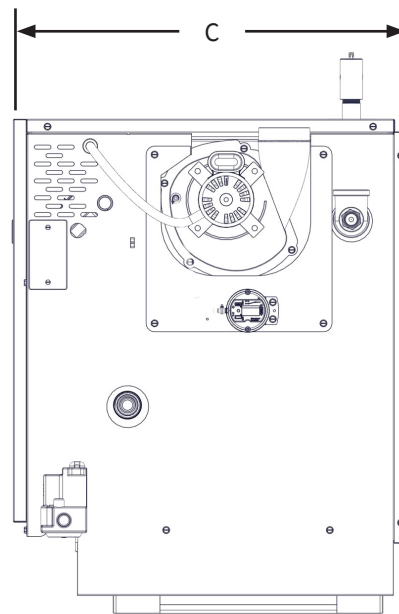
- MBH Input 42.5 - 187.5 (CH)
- Up to 84.4% AFUE
- Dependable Cast Iron Heat Exchanger with Cast Iron Push Nipples
- Honeywell High Limit/Electronic Ignition Control
 - Recessed under the boiler's protective jacket
 - Digital Temperature display and diagnostics
 - Plug in connection for the inducer fan
 - Plug in connection for the system pump
- Induced Draft Fan



General Information (See IOM for Complete Instructions)						
Model	UHSW42	UHSW75	UHSW112	UHSW150	UHSW188	
Water Return/Supply	1 1/4" NPT					
Gas	1/2" NPT					
Electrical	120 Volts AC, 60 hertz, 1 phase, less than 12 amps (15 amp circuit recommended)					
Water Content (Gallons)	1.75	3.00	4.25	5.50	6.75	
Dimensions	A-Height	29"	29"	29"	29"	
	B-Width	11"	14 1/4"	17 1/2"	20 3/4"	24"
	C-Depth	23 1/4"	23 1/4"	23 1/4"	23 1/4"	23 1/4"



FRONT



RIGHT SIDE

UHSW - Cast-Iron Induced Draft Chimney/Side Wall Vented Boilers

Model	Item Number	Input MBH	Htg. Cap. MBH	AHRI Net MBH	AFUE	Fuel	Pump	Ship Wgt.	Trade Price
UHSW42	FSB204203140409	42.5	36	31	84.4%	GAS	TACO ECM	225	\$3,039
UHSW75	FSB307503140409	75	63	55	84.0%	GAS	TACO ECM	265	\$3,427
UHSW112	FSB411203140409	112.5	95	82	84.0%	GAS	TACO ECM	322	\$3,781
UHSW150	FSB515003140409	150	127	109	84.0%	GAS	TACO ECM	370	\$4,232
UHSW188	FSB618703140409	187.5	158	135	84.0%	GAS	TACO ECM	431	\$4,955
UHSW42	FSB204203100409	42.5	36	31	84.4%	GAS	LESS	225	\$2,841
UHSW75	FSB307503100409	75	63	55	84.0%	GAS	LESS	265	\$3,229
UHSW112	FSB411203100409	112.5	95	82	84.0%	GAS	LESS	322	\$3,583
UHSW150	FSB515003100409	150	127	109	84.0%	GAS	LESS	370	\$4,034
UHSW188	FSB618703100409	187.5	158	135	84.0%	GAS	LESS	431	\$4,757

UHSW -LP

Note: Boilers require a natural gas to LP conversion kit (field installed). Sold Separately. See below.

UHSW - High Altitude

***Note: Boilers require a High Altitude conversion kit (field installed). Sold Separately. See Below. Item # is for 5000', consult factory for other elevations up to 10,000'.**

High Altitude - Capacity reduces with elevation. Refer to IOM for actual capacity ratings.

SW (Use Parts Multiplier for All of the Following)

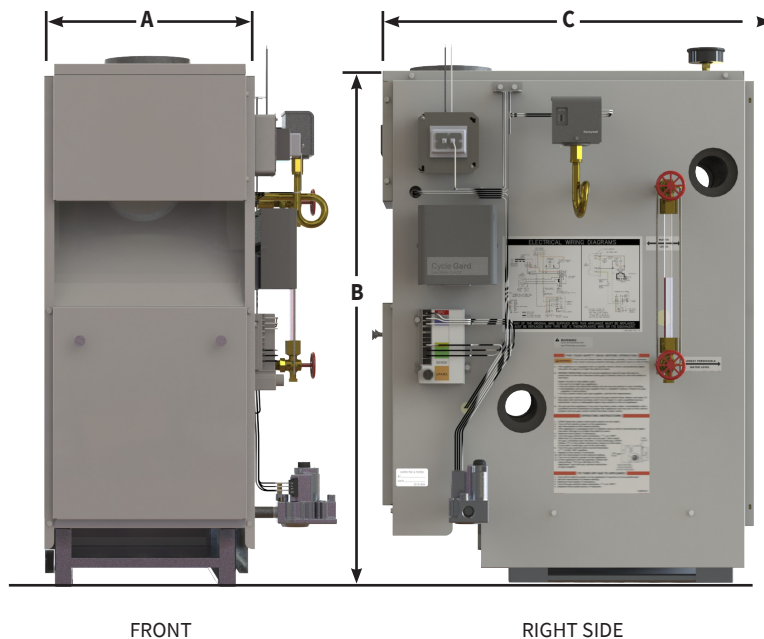
Model	Item Number	Description	Trade Price
UHSW	550002722	NATURAL GAS TO LP GAS CONVERSION KIT (ALL SIZES)	\$139
UHSW	43300660	LP GAS TO NATURAL GAS CONVERSION KIT (ALL SIZES)	\$152
UHSW42	550004122	*NATURAL GAS HIGH ALTITUDE CONVERSION KIT - 5000' ELEVATION	\$139
UHSW (75-150)	550004129	*NATURAL GAS HIGH ALTITUDE CONVERSION KIT - 5000' ELEVATION	\$139
UHSW188	550004136	*NATURAL GAS HIGH ALTITUDE CONVERSION KIT - 5000' ELEVATION	\$139
UHSW42	550004142	*LP GAS HIGH ALTITUDE CONVERSION KIT - 5000' ELEVATION	\$139
UHSW (75-150)	550004145	*LP GAS HIGH ALTITUDE CONVERSION KIT - 5000' ELEVATION	\$139
UHSW188	550004149	*LP GAS HIGH ALTITUDE CONVERSION KIT - 5000' ELEVATION	\$139
(42-150)	14629010	TJERNLUND VH-1-3" SIDE WALL VENT HOOD (UHSW 42-150)	\$385
UHSW187	14629011	TJERNLUND VH-1-3" SIDE WALL VENT HOOD (UHSW 187)	\$457

UH16 Cast-Iron Steam Boilers

- MBH Input 75 - 299 (CH)
- Up to 82.7% AFUE
- 7 Sizes Available
- Dependable Cast-Iron Heat Exchanger
- Electronic Ignition System
- Automatic Vent Damper
- LWCO (Probe Type) externally mounted for quick access
- Pressure High Limit Control with Pressure Gauge and Gauge Glass
- Stainless Steel Burners
- Easy Serviceability



General Information (See IOM for Complete Instructions)							
Model UH	1603HSID	1604HSID	1605HSID	1606HSID	1607HSID	1608HSID	1609HSID
Steam Return/Supply	2 1/2" NPT						
Electrical	120 Volts AC, 60 hertz, 1 phase, less than 12 amps (15 amp circuit recommended)						
A-Height	36.375"	36.375"	36.375"	36.375"	36.375"	36.375"	36.375"
B-Width	11 1/4"	14 1/2"	17 3/4"	21"	24 1/4"	27 1/2"	30 3/4"
C-Depth	26 1/2"	26 1/2"	26 1/2"	26 1/2"	26 1/2"	26 1/2"	26 1/2"



UH16 - Cast-Iron Steam Boilers

Model	Item Number	Input MBH	Htg. Cap. MBH	AHRI Net MBH	AHRI Net SQ. FT. Steam	AFUE	Fuel	Control	Ship Wgt.	Trade Price
UH1603HSID	16B307503700609	75	62	47	196	82.7%	GAS	CYCLEGUARD LWCO	297	\$3,691
UH1604HSID	16B411203700609	112	91	68	183	82.0%	GAS	CYCLEGUARD LWCO	368	\$4,128
UH1605HSID	16B515003700609	150	122	92	383	82.0%	GAS	CYCLEGUARD LWCO	440	\$4,611
UH1606HSID	16B618703700609	187	153	115	479	82.0%	GAS	CYCLEGUARD LWCO	512	\$5,271
UH1607HSID	16B722503700609	225	183	137	571	82.0%	GAS	CYCLEGUARD LWCO	584	\$5,887
UH1608HSID	16B826203700609	262	214	161	671	82.0%	GAS	CYCLEGUARD LWCO	659	\$6,504
UH1609HSID	16B929903700609	299	245	184	767	82.0%	GAS	CYCLEGUARD LWCO	736	\$6,927

UH16 - LP

Note: Boilers require a High Altitude conversion kit (field installed). Sold Separately. See below.

UH16 - High Altitude

***Note: Boilers require a High Altitude conversion kit (field installed). Sold Separately. See Below. Item # is for 5000', consult factory for other elevations up to 10,000'.**

High Altitude - Capacity reduces with elevation. Refer to IOM for actual capacity ratings.

UH16 (Use Parts Multiplier for All of the Following)

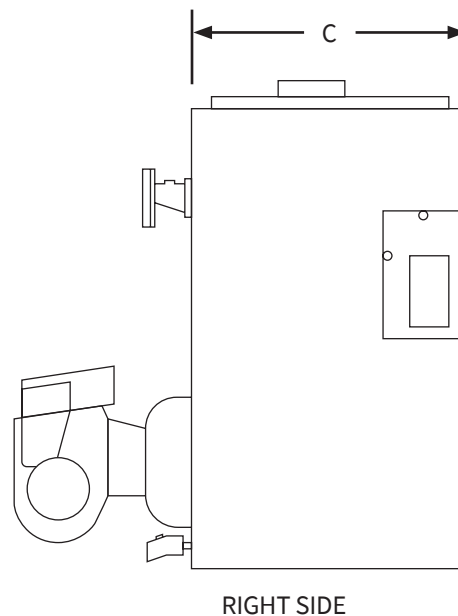
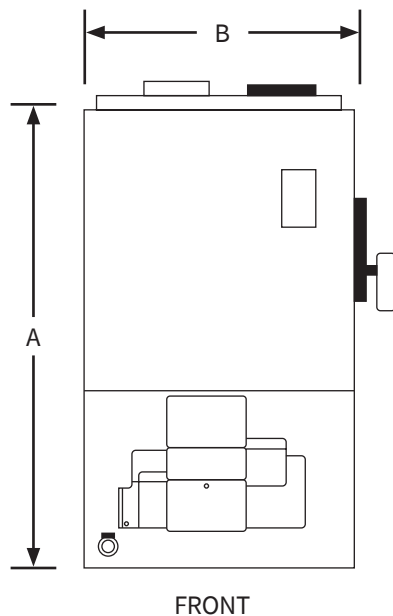
Model	Item Number	Description	Trade Price
UH1603HSID	43300723	3 SECTION NATURAL GAS TO LP GAS CONVERSION KIT	\$83
UH1604HSID	43300724	4 SECTION NATURAL GAS TO LP GAS CONVERSION KIT	\$83
UH1605HSID	43300725	5 SECTION NATURAL GAS TO LP GAS CONVERSION KIT	\$83
UH1606HSID	43300726	6 SECTION NATURAL GAS TO LP GAS CONVERSION KIT	\$97
UH1607HSID	43300727	7 SECTION NATURAL GAS TO LP GAS CONVERSION KIT	\$97
UH1608HSID	43300728	8 SECTION NATURAL GAS TO LP GAS CONVERSION KIT	\$97
UH1609HSID	43300729	9 SECTION NATURAL GAS TO LP GAS CONVERSION KIT	\$97
UH16	550004368	*NATURAL GAS HIGH ALTITUDE CONVERSION KIT - 5000' ELEVATION	\$92
UH16	550004373	*LP GAS HIGH ALTITUDE CONVERSION KIT - 5000' ELEVATION	\$92
UH16	1630001	WF2 WATER FEEDER USED WITH PS802 LWCO	\$779

UHKWC Cast-Iron Chimney Vented Boilers

- MBH Input 112 - 217
- Up to 86.2% AFUE
- Advanced High Efficiency Heat Exchanger Design
- Control:
 - Hydrolevel 3250: with digital display and diagnostics; adjusts the water temperature based on your heating system demand which further reduces your heating costs. It also features a built-in low water cut-off (LWCO) to protect the boiler from potentially dangerous low water conditions.
- Compact Footprint
- Easy Serviceability



General Information (See IOM for Complete Instructions)				
Model		UH3KWC	UH4KWC	UH5KWC
Water Return/Supply		1 1/4" NPT		
Drain Valve		3/4" NPT		
Electrical		120 Volts AC, 60 hertz, 1 phase, less than 12 amps (15 amp circuit recommended)		
Water Content (Gallons)		9.6	11.6	13.7
Dimensions	A-Height	36"	36"	36"
	B-Width	19 1/2"	19 1/2"	19 1/2"
	C-Depth	14 1/2"	17 3/4"	21"



KWC - Cast-Iron Chimney Venter Boilers with Beckett Burner

Model	Item Number	Input MBH	Htg. Cap. MBH	AHRI NET MBH	AFUE	Pump	Tank less Coil	Tankless gpm	Firing Rate	Ship Wgt.	Trade Price
UH3KWC0.80	KWC308031200109	112	98	85	86.0%	LESS	LESS	N/A	0.80	446	\$3,538
UH4KWC1.00	KWC410031200109	140	122	106	86.2%	LESS	LESS	N/A	1.00	526	\$3,797
UH4KWC1.25	KWC412531200109	175	152	132	86.0%	LESS	LESS	N/A	1.25	526	\$3,797
UH5KWC1.35	KWC513531200109	189	167	145	86.0%	LESS	LESS	N/A	1.35	605	\$5,103
UH5KWC1.55	KWC515531200109	217	189	164	86.0%	LESS	LESS	N/A	1.55	605	\$5,103
UH3KWC0.80	KWC308031240109	112	98	85	86.0%	TACO ECM	LESS	N/A	0.80	470	\$3,661
UH4KWC1.00	KWC410031240109	140	122	106	86.2%	TACO ECM	LESS	N/A	1.00	545	\$3,797
UH4KWC1.25	KWC412531240109	175	152	132	86.0%	TACO ECM	LESS	N/A	1.25	545	\$3,797
UH5KWC1.35	KWC513531240109	189	167	145	86.0%	TACO ECM	LESS	N/A	1.35	630	\$5,221
UH5KWC1.55	KWC515531240109	217	189	164	86.0%	TACO ECM	LESS	N/A	1.55	630	\$5,221
UH3KWC0.80T	KWC308032200109	112	98	85	86.0%	LESS	COIL	3.05	0.80	460	\$4,012
UH4KWC1.00T	KWC410032200109	140	122	106	86.2%	LESS	COIL	3.25	1.00	526	\$4,272
UH4KWC1.25T	KWC412532200109	175	152	132	86.0%	LESS	COIL	3.50	1.25	526	\$4,272
UH5KWC1.35T	KWC513532200109	189	167	145	86.0%	LESS	COIL	3.60	1.35	605	\$5,696
UH5KWC1.55T	KWC515532200109	217	189	164	86.0%	LESS	COIL	3.80	1.55	605	\$5,696
UH3KWC0.80T	KWC308032240109	112	98	85	86.0%	TACO ECM	COIL	3.05	0.80	470	\$4,134
UH4KWC1.00T	KWC410032240109	140	122	106	86.2%	TACO ECM	COIL	3.25	1.00	545	\$4,396
UH4KWC1.25T	KWC412532240109	175	152	132	86.0%	TACO ECM	COIL	3.50	1.25	545	\$4,396
UH5KWC1.35T	KWC513532240109	189	167	145	86.0%	TACO ECM	COIL	3.60	1.35	630	\$5,814
UH5KWC1.55T	KWC515532240109	217	189	164	86.0%	TACO ECM	COIL	3.80	1.55	630	\$5,814

KWC (Use Parts Multiplier for All of the Following)

Model	Item Number	Description	Trade Price
UH4KWC1.25	550002647	4 SECTION RE-RATE KIT 4100/4125	\$40
UH5KWC1.35	550004307	5 SECTION RE-RATE KIT 5155 TO 5135	\$40
UH5KWC1.55	550004308	5 SECTION RE-RATE KIT 5135 TO 5155	\$40
UH3KWC0.80	14624002	FILL-TROL #110 FOR WATER BOILERS 150 MBH OR LESS	\$486
UH4KWC1.00 / UH4KWC1.25 / UH5KWC1.35 / UH5KWC1.55	14624003	FILL-TROL #111 FOR WATER BOILERS OVER 150 MBH	\$675

H2O GL Single Coil Glass Lined Indirect Water Heaters

- 31 - 106 Gallon Capacities
- Easy to Install
- Low Pressure Drop
- Magnesium Anode Rod (Corrosion Protection)
- Enameled Coated Steel Tank and Coil
- Minimal Standby Losses
- Flexible Scratch Resistant Jacket
- Aquastat Sensor Well
- Temperature Pressure Relief Valve



(H2O40GL Model Shown)

General Information (See IOM for Complete Instructions)					
Maximum Working Pressure: 150 psi for all Capacities					
Model	Piping Connections NPT		Dimensions		
	Domestic Water In/Out	Boiler Water In/Out	Diameter	Height	Weight
H2O 30 GL	1"	1"	24"	33"	119 lbs
H2O 40 GL	1"	1"	24"	45"	180 lbs
H2O 50 GL	1"	1"	24"	51"	200 lbs
H2O 80 GL	1"	1"	30"	48"	243 lbs
H2O 105 GL	1"	1"	30"	62"	393 lbs

H2O GL - Single Coil Glass Lined Indirect Water Heaters (While Supplies Last)

Model	Item Number	Storage Capacity gal	Max First Hour Rating gal/hr @ 115° F	Continuous Rating gal/hr @ 115° F	Boiler Output Req. BTU/hr	Ship Wgt. lbs	Trade Price
H2O 30 GL	H2OIG30UH	31	155	124	100,000	119	\$1,399
H2O 40 GL	H2OIG40UH	42	256	220	120,000	180	\$1,427
H2O 50 GL	H2OIG50UH	53	310	268	140,000	200	\$1,622
H2O 80 GL	H2OIG80UH	79	346	281	180,000	243	\$2,252
H2O 105 GL	H2OIG105UH	106	440	345	220,000	393	\$3,522

H2O GL (Use Parts Multiplier for All of the Following)

Model	Item Number	Description	Trade Price
30-105 GAL.	240010926	T & P VALVE 3/4, 100XL-8	\$72
30-105 GAL.	AQ-020.01	AQUASTAT WELL	\$50
30-105 GAL.	240013432	AQUASTAT	\$198
30-50 GAL.	240012211	PLASTIC TOP CAP	\$40
80-105 GAL.	240012239	PLASTIC TOP CAP	\$54
40-105 GAL.	240012212	PLASTIC FRONT CAP	\$9
30 GAL.	550003640	ANODE KIT MAGNESIUM (INCLUDES ANODE, GASKET & BUSHING)	\$52
40-50 GAL.	550003505	ANODE KIT MAGNESIUM (INCLUDES ANODE, GASKET & BUSHING)	\$52
80-105 GAL.	550003527	ANODE KIT MAGNESIUM (INCLUDES ANODE, GASKET & BUSHING)	\$100
40-50 GAL.	550003694	ANODE KIT ALUMINUM (INCLUDES ANODE, GASKET & BUSHING)	\$52
80-105 GAL.	550003695	ANODE KIT ALUMINUM (INCLUDES ANODE, GASKET & BUSHING)	\$100
30-50 GAL.	240012250	FLANGE CAP	\$54
80-105 GAL.	240012251	FLANGE CAP	\$21
30-50 GAL.	240012210	FLANGE GASKET	\$2
80-105 GAL.	240012238	FLANGE GASKET	\$4
40-50 GAL.	550003510	HARDWARE KIT (INCLUDES BOLTS & NUTS FOR FLANGE CAP)	\$4
80-105 GAL.	550003525	HARDWARE KIT (INCLUDES BOLTS & NUTS FOR FLANGE CAP)	\$4
H2O 30 GL	240012474	OUTSIDE TANK COVER	\$145
H2O 40 GL	240012329	OUTSIDE TANK COVER	\$147
H2O 50 GL	240012330	OUTSIDE TANK COVER	\$158
H2O 80 GL	240012331	OUTSIDE TANK COVER	\$110
H2O 105 GL	240012332	OUTSIDE TANK COVER	\$193
30-50 GAL.	240012483	TEMPERATURE GAUGE	\$22

TERMS & CONDITIONS OF SALE - GENERAL TERMS

PRICES & SPECIFICATIONS: All pricing and specifications subject to change without notice. The prices herein supersede all prior quotations.

ORDERS: Orders will be accepted based on prices in effect at the time the order is received. No order or contract will become an obligation on our part until accepted by the General Sales Department. ECR International shall not be liable for any delay or failure in the delivery or shipment of goods due to any cause or causes beyond its control.

TAXES: Add to the prices and terms quoted any manufacturers' or sales tax payable on the transaction under any effective statute.

SHIPMENTS

TRUCKLOADS: \$60,000 Net Order Value - Freight Prepaid. Indirect Water Heaters and Commercial Boiler lines can be added to any residential order for freight purposes. Authorized Distributors can combine Argo, Airco, Dunkirk, EMI, Olsen, Pennco, Utica Boilers and Utica Heating on one purchase order to earn free freight.

Stop off charges of \$200 will apply to stop off locations within 100 miles of the final destination. Please call for pricing for stop off special handling for a location further than 100 miles or for special handling pricing for services such as lift gate, unloading assistance, etc.

LESS THAN TRUCKLOAD SHIPMENT: F.O.B. ECR INTERNATIONAL - FACTORY OR WAREHOUSE

See Shipping and Delivery Policy for full details.

SALES ORDER INFORMATION CHECK LIST

The following information must be included on equipment or parts orders to insure proper shipment & invoicing:

- | | |
|--|--|
| 1) Purchase Order Number | 7) Pricing |
| 2) Bill to Address | 8) Product Description (Model, Size, etc.) |
| 3) Ship to Address | 9) Fuel Type (Oil, Natural Gas, Propane) |
| 4) Method of Shipment (trailer load, UPS) | 10) Electrical (Operating Voltage, Cycles, Phases, etc.) |
| 5) Requested Ship Date | 11) Non-Standard Equipment (Indicate "Optional" when substituted for standard equipment at extra cost listed. Indicate added to standard equipment.) |
| 6) Special Instructions ("Carrier to call...") | 12) Kits or Parts (Orders for kits or parts must indicate equipment size and series.) |

Send orders to:

E-mail: ecrorderentry@ecrinternational.com

Fax: (315) 724-9319

Please note the following Remit to Address:

**ECR International, Inc.
P.O. Box 8000 Department 039
Buffalo, NY 14267**

SHIPPING AND DELIVERY POLICY

Shipping and Delivery Policy	
Order Type / Value*	Freight Charges*
All UPS, Fed, Ex, DHL, etc. Shipments	Freight & Handling Cost Apply
\$0.00 - \$5,000	Freight & Handling Cost Apply
\$5,001 - \$15,000	\$350
\$15,001 - \$59,999	\$300
\$60,000**	FFA

*The above freight terms apply to single purchase orders or combined purchase orders from one company with one stop totaling the above reference tiers. Additional stops will incur additional charges. Pooling from multiple companies is not allowed under this freight program.

**Orders of \$60,000 or more from one company with multiple stops will incur a \$200 stop-off charge per stop after the initial stop. Each stop location must be within 100 miles of the initial stop or additional charges will apply.

Because of packaging and shipping constraints, EMI products do not qualify for this freight program unless prior approval is obtained from your Regional Sales Manager.

Except for FFA qualifying orders, the above US shipping rates apply to shipments east of the Mississippi River. If shipments are beyond that area actual freight rates will apply.

These rates apply to destinations where no special delivery requirements are needed. Additional charges will apply when special handling and delivery is incurred. Pre-shipment notification of any special shipping or handling provisions is required. Unless otherwise noted, all products will be shipped FOB Shipping Point and transfer of ownership and responsibility is assumed by the customer for all loss or damage. ECR International will not be held liable for any damage, loss or costs which occur due to shipping delay. ECR retains the right to change or alter this program without notice and without penalty.

Family bundling is encouraged; boilers, furnaces, A/C, and controls can be combined to achieve freight tiers.

If you have any questions, please contact your ECR representative or ECR Regional Manager.

U.S. DISTRIBUTOR - RETURN MATERIAL POLICY (RMA)

Prior Approval Required - All returns for exchange, credit, repair service or warranty claim must be approved by ECR International and require an RMA number prior to return of the material. A request must be completed via the online web portal. Please log on to www.ecrcustomerportal.com to complete your request for return. If you do not already have access to the customer web portal, please contact ECR International Customer Service at 1-800-325-5479 to be set-up.

Eligibility – An RMA Request must be received within 60 days from the date of invoice for returns of New & Unused product in original packaging. A restocking fee of 15% will be charged for all new and unused returns that are approved for return. Special Order Products (items not offered as standard in ECR International trade price book) are not eligible for return as new and unused product. Request for Warranty Returns must be made within the period covered by the warranty and must fall under the terms and conditions specified in the warranty.

Repair Service - Request for repair or rework of product damaged by customer is classified as Repair Service. Repair Service is billed at \$75.00 per hour for labor and net price for parts used in repair/rework. ECR International's Return Material (RM) department will evaluate the items returned for repair service. The customer will receive an estimate for the dollar amount, determined by ECR International's RM department, required to complete the repairs requested. A Purchase Order (PO) from the customer for that amount will be required before any work is performed.

RMA Expiration Parts - Once the RMA number is issued, the product must be returned within 60 days of the RMA date, or the RMA will be canceled. Products approved for return that are received after 60 days from the RMA date will not be accepted.

Shipping & Packaging - All returns must have a valid RMA number clearly displayed on the exterior of the package or the package will not be accepted. All returns of new and unused product must be in the original packaging. All returns must be shipped prepaid by the customer unless otherwise directed by ECR as indicated on the RMA Verification. Ship all approved return material to the facility indicated on the approved RMA Request by the date indicated.

Replacement Product - If replacement product is desired it must be indicated on the RMA Request. A PO# is required for the replacement shipment and must be indicated on the RMA Request. All replacement products will be invoiced at the time of shipment. ECR will pay the ground freight for all warranty replacements.

Application of Credit - Credit for returned product will be applied to the customer's account (less restocking fees for New and Unused returns) only after confirmation of receipt by ECR and inspection of the product. Issuance of a credit for a partial return of product does not relieve the customer from the obligation to remit payment for the merchandise not returned in accordance with the payment terms referenced on the customer's invoice(s). Customer will have the option to have any product that is denied for credit returned at their expense.

Returning Installed Finished Goods (Complete boilers, furnaces, A/C units etc.)

- Equipment that is already installed should be repaired not replaced. Exceptions: leaking cast iron boilers in their first year or leaking water tanks. Leaking drain valves on water tanks are replaceable, make sure the leak is not on the valve. Tanks returned with the only leak being on the valve will be denied.
- Cast iron blocks (not complete boilers) older than one year and Indirect tanks that are leaking do not require prior approval. Simply type "Leaking" into the Authorization field and it will be accepted. Complete Cast iron boilers within their first year will still require prior authorization for full boiler replacement.
- Water leaks on copper and condensing boilers are repairable and will require prior authorization for any reason for removal.
- To guarantee credit, if a situation arises where equipment does need to be replaced, **prior authorization** from ECR is required. This will ensure that ECR has visibility to the problem and has had an opportunity to correct it prior to removal. *All equipment considered for removal should first be brought to the attention of Technical Support at 1-800-253-7900.*
- If approved, an authorization number will be given that will need to be entered in the RMA on the Customer Portal.
- For equipment that is removed from service without prior authorization by ECR, contact Customer Service. They will evaluate the circumstance and can issue a conditional RMA. The equipment will be tested in our lab to determine if removal was warranted and if credit will be given.

RMA Expiration Equipment - Once the RMA number is issued, the product must be returned within 30 days of the RMA date, or the RMA will be canceled. Products approved for return that are received after 30 days from the RMA date will not be accepted.

This page is intentionally left blank,



Affordable Heating and Hot Water Solutions

ECR international

2260 Dwyer Avenue, Utica, NY 13501
Tel. 800 325 5479

www.ecrinternational.com

All specifications subject to change without notice.

©2025 ECR International, Inc.

PN 240011138 REV. U [08/28/2025]